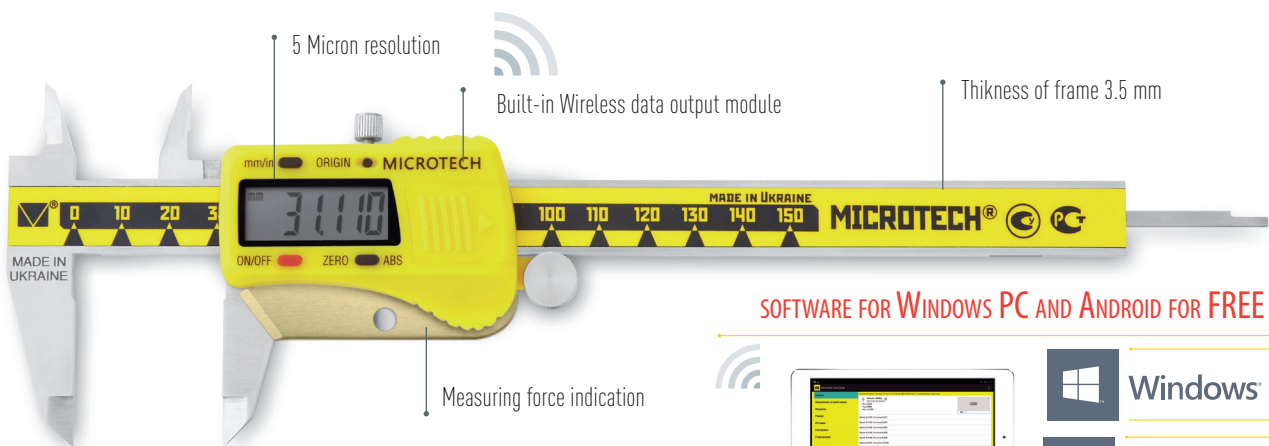




WIRELESS FORCE CALIPER

- Patented Force control module (Patent UA100613 by MICROTECH)
- Accuracy $\pm 10 \mu\text{m}$ on external jaws (higher than DIN 863 requirements)
- Built-in Wireless data output module for data transfer to Windows PC or Android devices
- Standart & Energy saving Wireless modes
- MDS Lite software for Windows PC or Android device for FREE
- Modification with self lubrication patented technology (Pat. UA 201707025)
- Resolution 5 μm
- CR1632 (3V) battery or extra battery
- With thumb wheel
- Thickness of frame 3.5mm
- Automatic wake up by moving electronic
- Sleeping mode after 10 min non use
- With depth rod
- 100% metrological control

DESCRIPTION



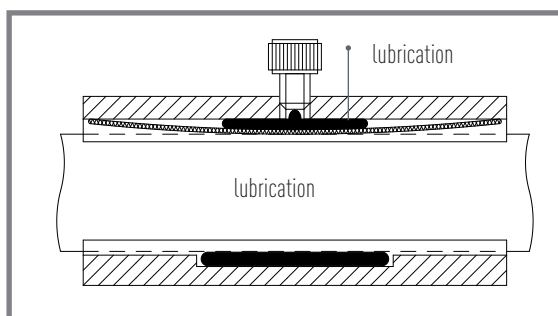
SOFTWARE FOR WINDOWS PC AND ANDROID FOR FREE



Windows



ANDROID



Modifications with lubrication of guides for easy sliding



PRECISION SERIE



DEVELOPING PATENTED BY MICROTECH



METROLOGICAL CONTROL MICROTECH



OPTIMAL FORCE 8N

Item No	Range	Resolution	Accuracy	Jaw length	Proof	Optimal measuring force	Guides lubrication	Data output
141088192	0-150	0,005	$\pm 0,010$	40	IP-54	8	-	Wireless
141089192	0-150	0,005	$\pm 0,010$	40	IP-54	8	+	Wireless
141088292	0-200	0,005	$\pm 0,010$	50	IP-54	8	-	Wireless
141089292	0-200	0,005	$\pm 0,010$	50	IP-54	8	+	Wireless
141088392	0-300	0,005	$\pm 0,015$	60	IP-54	8	-	Wireless
141089392	0-300	0,005	$\pm 0,015$	60	IP-54	8	+	Wireless